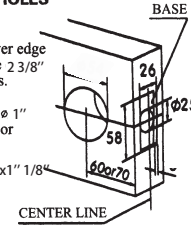
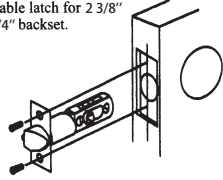
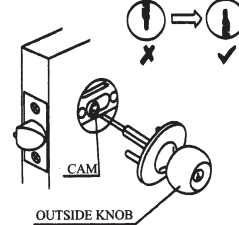
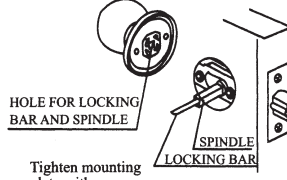
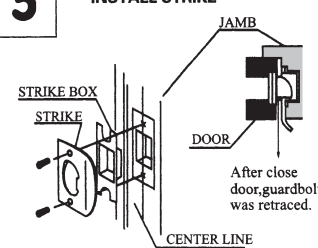
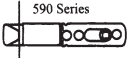
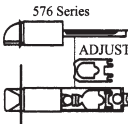


HOW TO INSTALL THIS TUBULAR LOCK

<p>1 MARK DOOR & BORE HOLES</p> <ul style="list-style-type: none"> • Fold template over edge of door, mark site 2 3/8" or 2 3/4" of hole. • Bore \varnothing 2 1/8" and \varnothing 1" holes through door • Cut out a 2 5/16" x 1 1/8" base. 	<p>2 INSTALL LATCH</p> <ul style="list-style-type: none"> • Adjustable latch for 2 3/8" or 2 3/4" backset. 	<p>3 INSTALL BODY</p> 
<p>4 INSTALL INSIDE KNOB</p> 	<p>5 INSTALL STRIKE</p> 	<p>INSTRUCTION FOR ADJUSTABLE LATCH</p> <p>590 Series  The cam is pushed fully to the right for 2 3/4" backset. (During the adjustment, keeping two teeth of the cam to forward always.)</p> <p>576 Series  Push the latch inward, take off the adjust part for 2 3/4" backset</p>

68E

