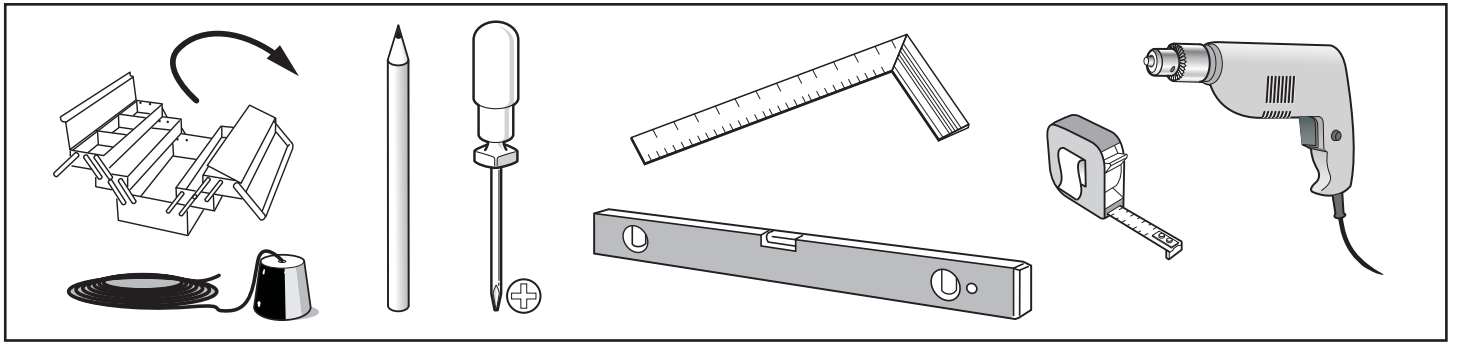
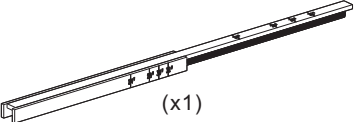
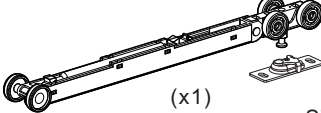
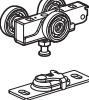
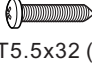
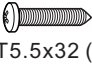


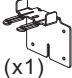

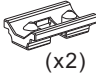

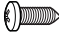




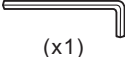



PRE-INSTALLATION

TOOLS REQUIRED



HARDWARE INCLUDED

 (x1)	 (x1)	 (x1)	 ST5.5x32 (x2)	 ST5.5x32 (x2)
 (x1)	 ST4.2x19 (x3)	 (x1)	 ST4.2x19 (x1)	 (x2)
 (x4)	 ST4.2x19 (x8)	 (x2)	 (x2)	 ST4.2x13 (x2)
 ST3.5x32 (x3)	 (x1)	 (x1)		

PREPARE THE ROUGH OPENING

Height of Rough Opening (Table 1)

Nominal Door Height	Minimum Height of Rough Opening	Bracket Fastener Height from finished floor	Bracket Fastener Height from sub-floor
80"	84-1/2"	80-3/4"	81-1/2"
84"	88-1/2"	84-3/4"	85-1/2"
96"	100-1/2"	96-3/4"	97-1/2"
108"	112-1/2"	108-3/4"	109-1/2"
Custom	Door Height + 4-1/2"	Door Height + 3/4"	Door Height + 1-1/2"

Width of Rough Opening (Table 2)

Nominal Door Width	Width of Rough Opening
24"	49"
26"	53"
28"	57"
30"	61"
32"	65"
34"	69"
36"	73"
Custom	(2 X Door Width) + 1"

INSTRUCTIONS

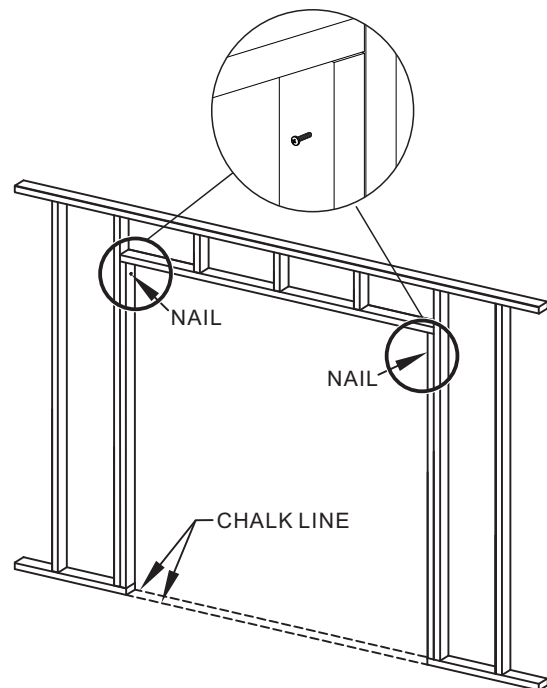
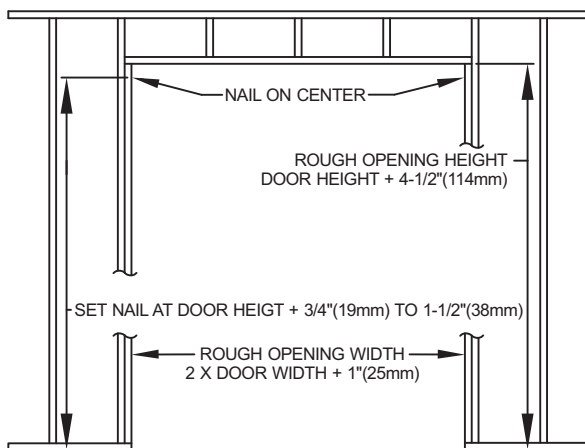
POCKET DOOR FRAME MADE FOR 2"X4" STUD WALLS

For 1"(25mm) to 1-3/4"(45mm)
doors to 200 lbs.(100 kgs)

- 1 CONSTRUCT ROUGH OPENING** using Table 1 and 2
Header must be **SQUARE** and **PLUMB** with tubes and **LEVEL**.
Minimum Height of ROUGH OPENING = Door Height + 4-1/2" (114mm)
Width of ROUGH OPENING = 2X Door Width plus 1" (25mm)

- 2 Measure** up from finished floor **Door Height + 3/4"** or from sub-floor to **Door Height + 1-1/2"**.
This will give 3/4"(19mm) to 1-1/2"(38mm) clearance under door.
Mark each rough stud and drive a flat head nail on center (**not included**), leaving 1/8"(3mm) protruding. (Frame header end brackets will rest on these nails).

- 3 Snap** a chalk line on floor even with side jambs.



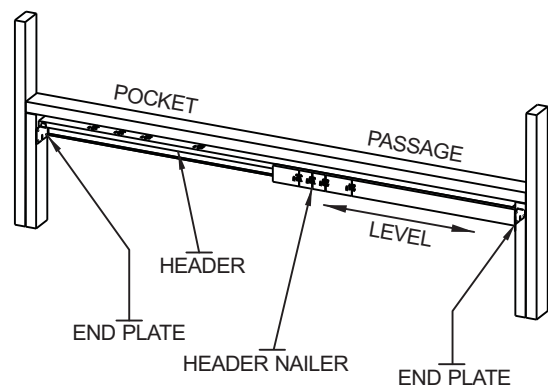
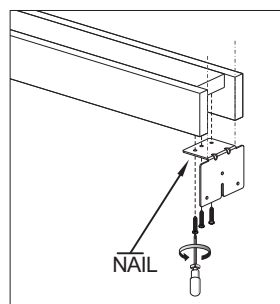
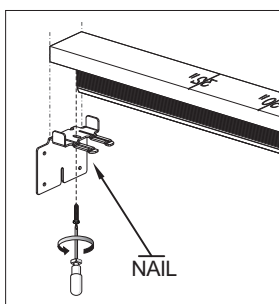
4 PREPARE HEADER AND TRACK

Size header track assembly

The header track assembly is stamped for cutting to shorter lengths.

Measure accurate door width, determine if the header and track assembly should be cut to accommodate shorter door size before installing. (See cutting instructions on page 7.)

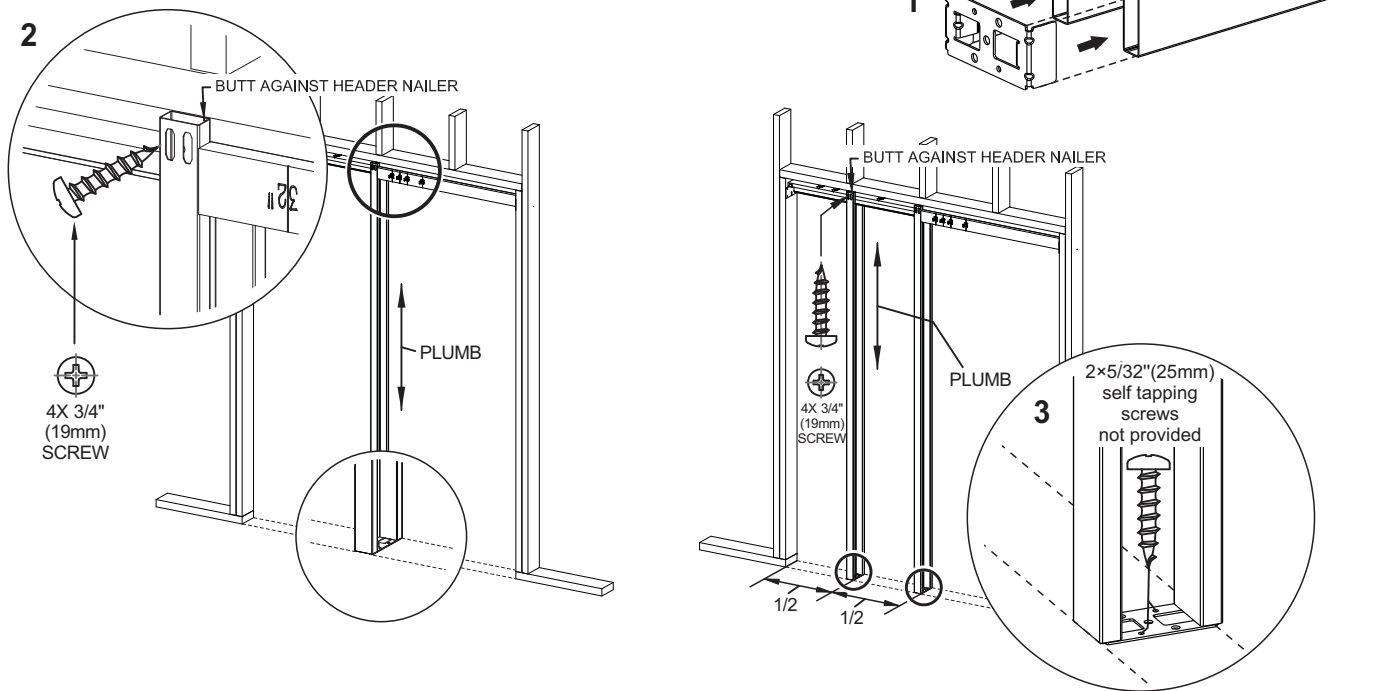
Slip slots in Frame Header End Plates over nails in rough studs. **LEVEL HEADER**. Set nails and drive nails through remaining holes in end plates.



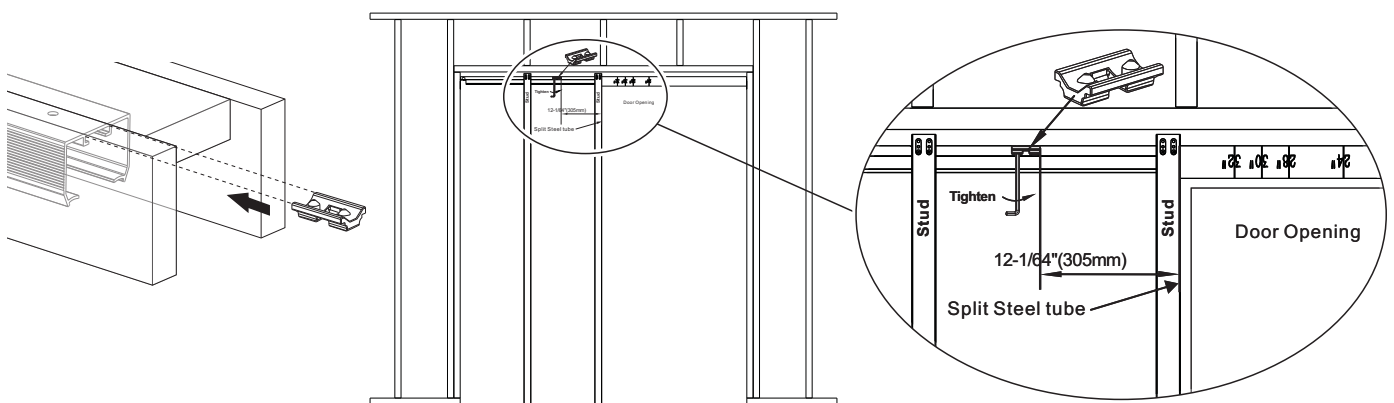
5 INSTALL THE SPLIT TUBES

NOTE : The bottom of the split tube is the end without the slots. If the split tubes must be cut for shorter door heights, determine which end of the split tube has the slots and cut off the other end.

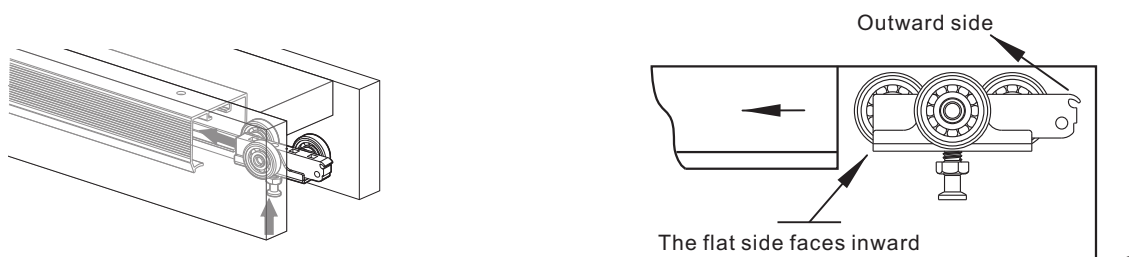
1. Slip fingers of Floor Plate into Split Steel Tube as shown.
2. Butt two Split Steel Tube against header nailer And screw into place with two (2) 3/4"(19mm) X #8 Pan Head Screws. Attach other Split Steel Tube midway in "Pocket" opening.
3. Plumb Split Steel Tube between chalk lines and nail to floor.(On masonry, use industrial adhesive or Tapcon fasteners.)



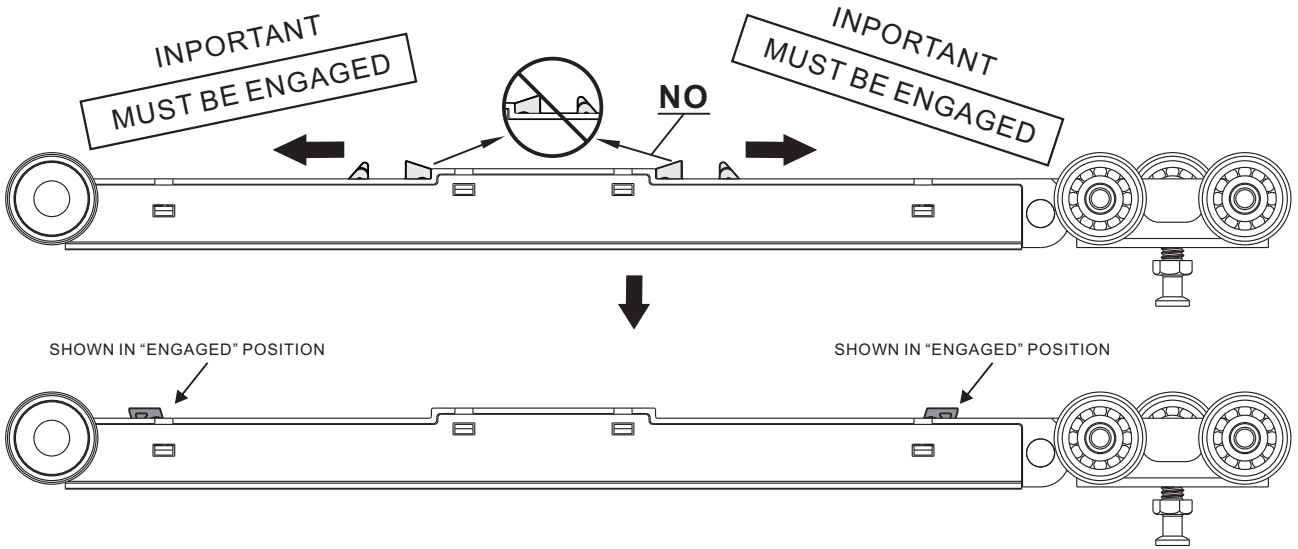
- ## 6 Place the 1st soft close actuator/trigger into the track and have it 305mm far from the edge of the first split steel tube (close to door opening). Tighten it to the track.



- ## 7 INSERT Ball Bearing Hanger Wheel assembly into Track, leave untightened as this will be done in step 13.

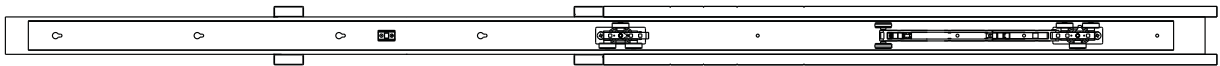
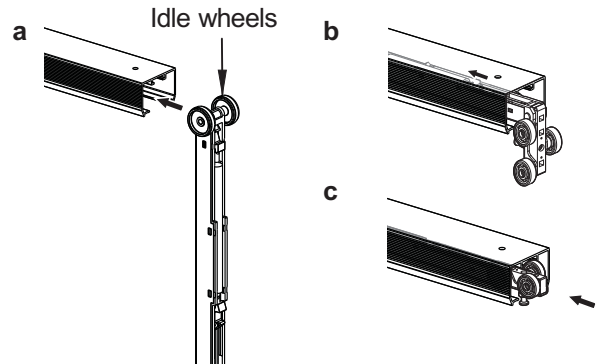


- 8 Engage Soft Close Dampener by pushing Dampener trigger 3 Wheel Roller. *This step is very important.* **DAMPENER MUST BE ENGAGED** or soft close will not work, Soft Close Dampener may be **DAMAGED** if installed incorrectly. Door will have to be removed and installation of Soft Close will have to begin again.**

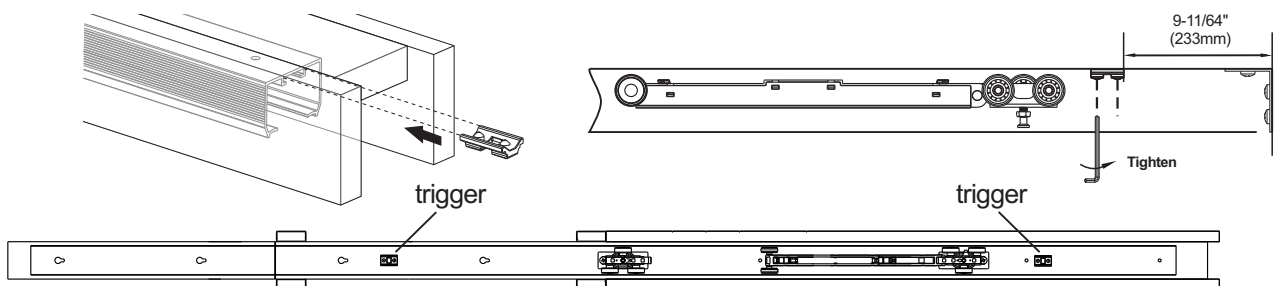


- 9 INSERT Soft Close Hanger into Track.(Idle wheels first).**

Rotate the hanger (three wheel part) to 90 ° and move soft close body first inside the track , then also move the hanger inside the track.



- 10 Place the 2nd soft close actuator/trigger into the track and have it 233 mm from the end plates. Tighten it to the track.**



- 11 Apply desired wall material with 1"(25.4mm) X #6 Self drilling drywall screws. Use seven(7) screws per Split Steel Tube.**



Remarks: Screws 1"x#6 for drywall are not supplied.

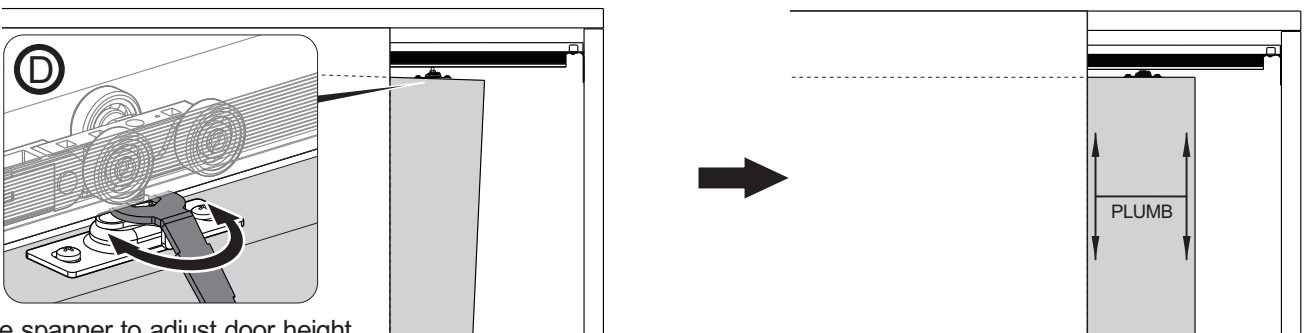
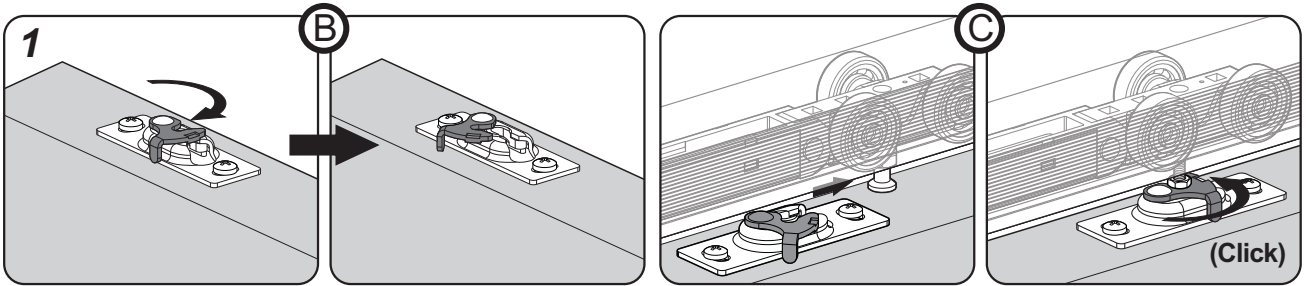
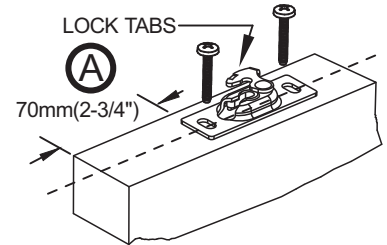
1"(25.4mm) x #6

- 12 Seal all edges and face of door panel with paint or sealing stain.**



13

AB/Attach door plates on top of door 2-3/4"(70mm) from each edge with lock tabs on the same side.
C/Mount door by locating door plate under adjusting bolt of hanger. Lift door and push bolt into door plate, then click the tab in place. Repeat with other hanger/door plate.

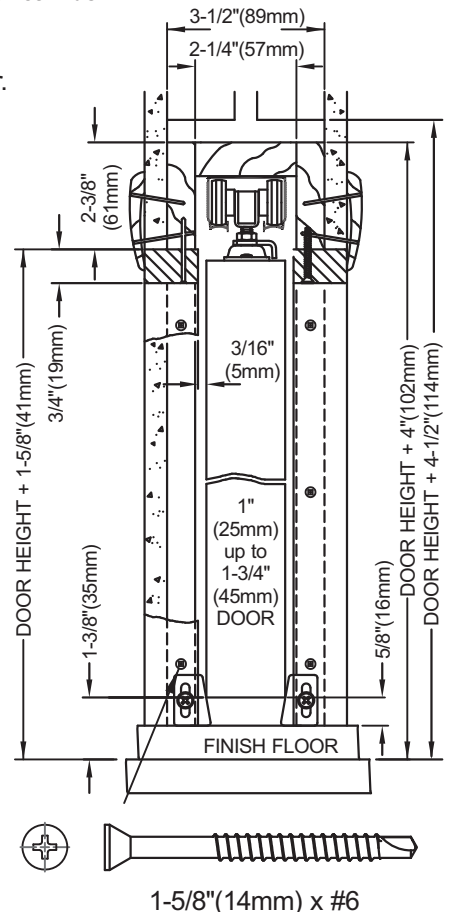
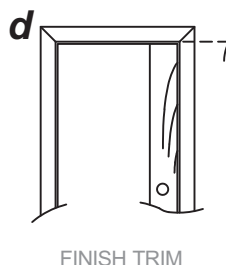
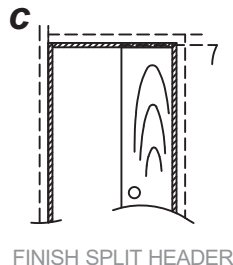
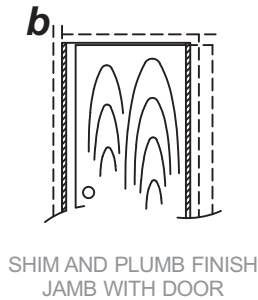
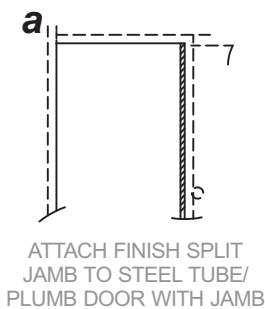


Use spanner to adjust door height.

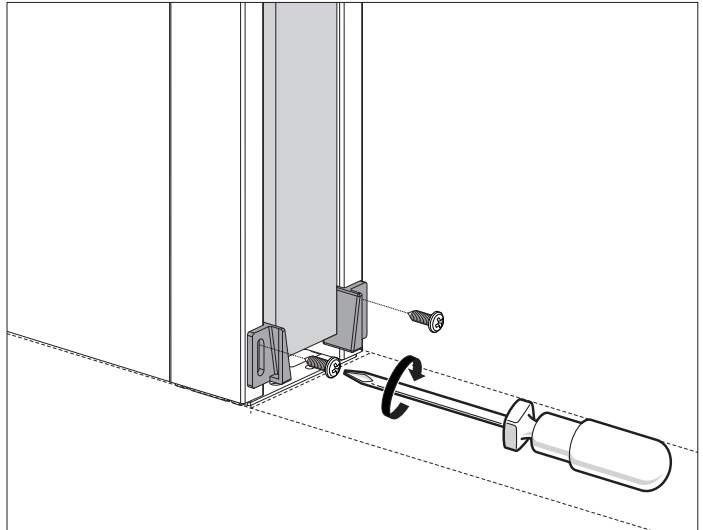
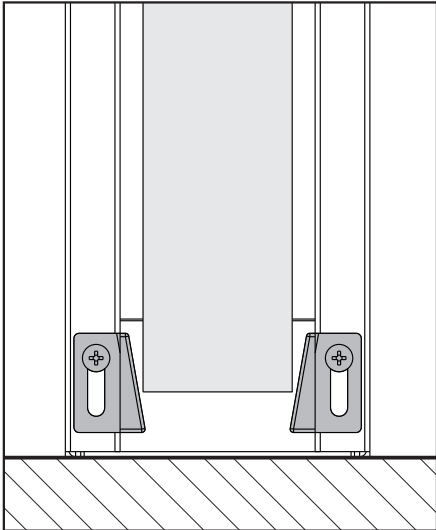
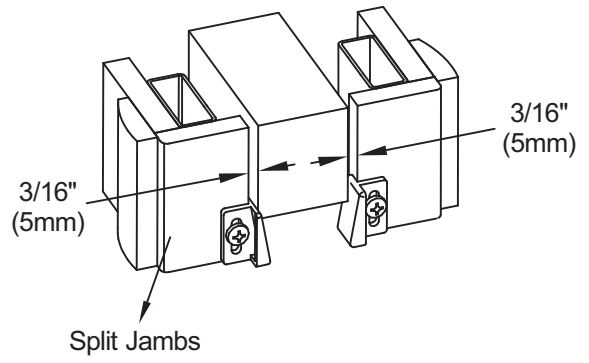
14

Install finished jambs, split header and casing as shown. Fasten split header on lock lever side with screws for future door removal or adjustment. Install the finish trim or casing. Make sure to fasten the finish header trim to **ONLY** the wall and **NOT** the finish split header. This ensures the finish split header can be removed later without damage.

NOTE: Leave minimum 3/16"(5mm) clearance between jamb and door.



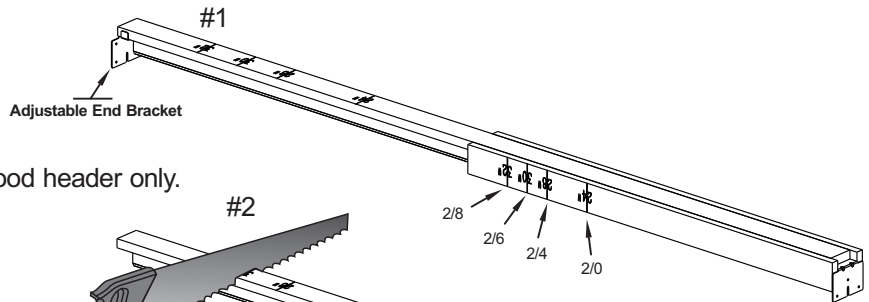
15 Fasten Guides on finished split jambs at door bottom so door is held in center of opening.



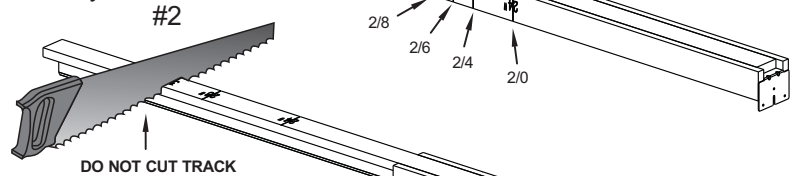
CUTTING INSTRUCTIONS POCKET DOOR FRAME HEADER

Pocket Door Frames are marked for cutting to shorter standard door widths.

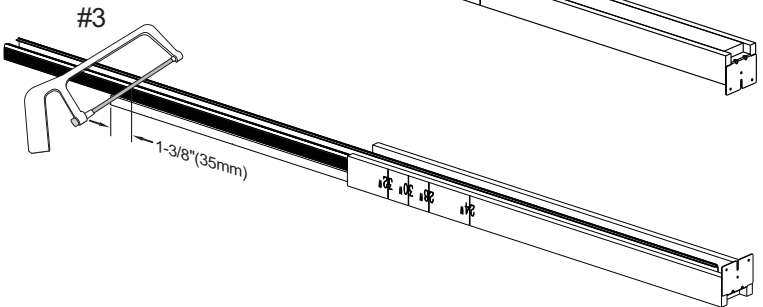
- 1** Remove Adjustable End Bracket.



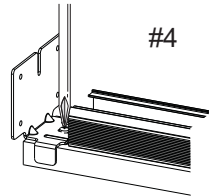
- 2** At desired door size marking, cut wood header only.



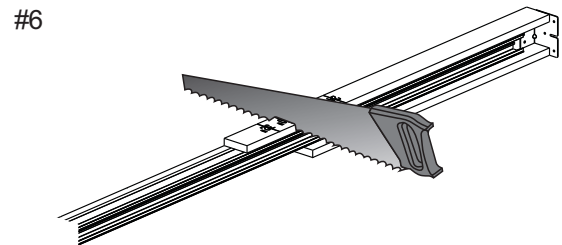
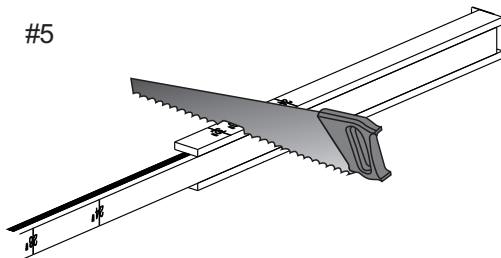
- 3** Turn header over and cut track 1-3/8" (35mm) shorter than header.



- 4** Replace Adjustable End Bracket on new cut end of header.



- 5** Turn Header on side and cut Header Trim Board ONLY at proper mark. Remove cut off end and discard.



- 6** Turn Header and cut other side.

Cutting header for other than standard door width: Measure door width and multiply by 2. Add 1" (25mm).
Mark header and cut (step #2). Cut track (Step #3). Measure door width. Add 7/8" (22mm).
Mark header Trim board and cut (step #5 & #6).